

Vøruskrá 2026





UNIVICE

Univice varð stofnað í 2010. Fyrstu árin virkaði fyrirtøkan í leigaðum hølum, har kjarnan í virkseminum varð bygd upp – at veita kundum tryggjar og góðar loysnir innan rustfrítt stál til skip og virkir.

Í 2012-2013 keypti Univice, ein kendan framleiðara av glasfiburbátum í Runavík - AWI Boats. Hesi feløgini eru í dag samlað í eini 1200 m² stórum bygning á Rókahavnini. AWI Boats hevur framleitt uml. 300 bátar runt í øllum norðanlondum, og síðani yvirtøkan hevur Univice útvegað og selt bátar til m.a. Grønlands.

Í dag starvast umleið 40 dugnalig starvsfólk hjá Univice. Kjarnuvirksemið er framvegis framleiðsla av rustfríum útbúnaði til skip og virkir, men fyrirtøkan bjóðar eisini heildarloysnir innan ráðgeving, tekning og projektering. Í tøttum samstarvi við kundar verða loysnir mentar, sum tryggja skilagóðar og effektivar framleiðslulinjur og arbeiðsgongdir – bæði á skipsdekkum, í virkjum og innan alíðnaðin.





UNIVICE

Univice was founded in 2010. During its early years, the company operated from rented facilities, where the core of the business was providing customers with reliable and high-quality solutions in stainless steel for ships and other industrial applications.

In 2012–2013, Univice acquired a well-known manufacturer of fiberglass boats in Runavík – AWI Boats. Today, both companies share a 1,200 m² facility located at Rókahavn. AWI Boats has produced approximately 300 boats across the Nordic countries, and since the acquisition, Univice continue to manufacture high-quality vessels to the Greenlandic market.

Today, approximately 40 skilled employees work at Univice. The company's core activity remains the production of stainless steel equipment for the maritime and industrial sectors. In addition, Univice offers comprehensive solutions including consulting, design, and project engineering. In close collaboration with clients, tailored solutions are developed to ensure efficient production lines and optimized workflows—both on ship decks, in processing plants, and within the aquaculture industry.





UNIVICE

Teknistovan hjá Univice framleiðir dagliga arbeiðstekningar til ymiskar verkætlanir. Her hava vit førleikan at tekna, rokna út og menna nærum allar loysnir, sum tørvur er á. Við okkara 3D-prentara kunnu vit skjótt og smidliga framleiða bæði prototypur og lidnar vørur – alt við høgari góðsku.

Univice's design department produces detailed working drawings for a wide range of projects on a daily basis. We have the expertise to design, compute, and develop almost any solution required. With our 3D printer, we can quickly and efficiently produce both prototypes and finished products—all with a high level of quality.



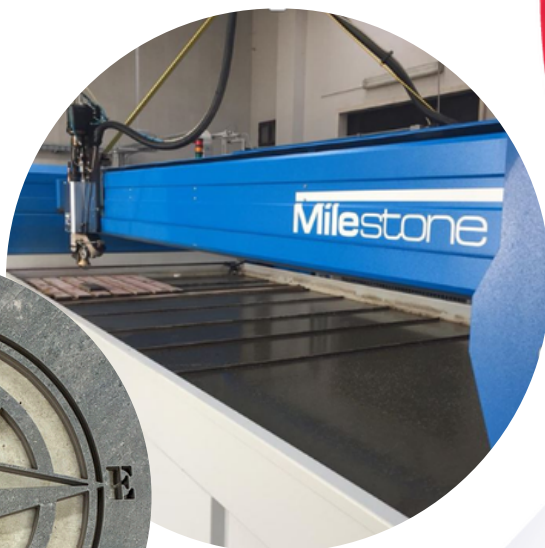
UNIVICE

Við vatnskeraranum hjá Univice, ber til at skera nær um allt tilfar.

- Metal
- Timbur
- Flísar
- Glas
- Plast

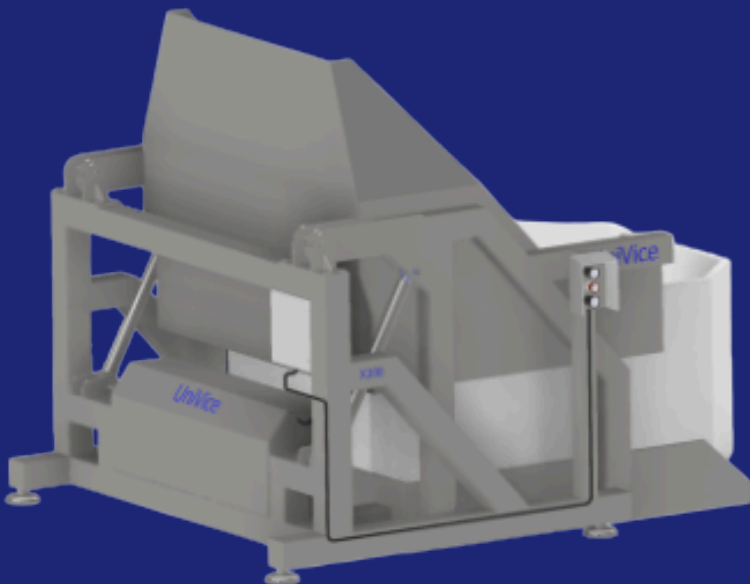
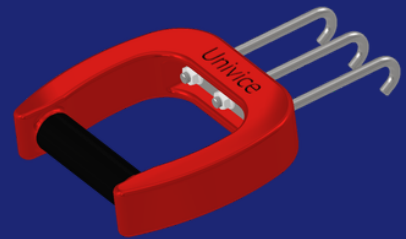
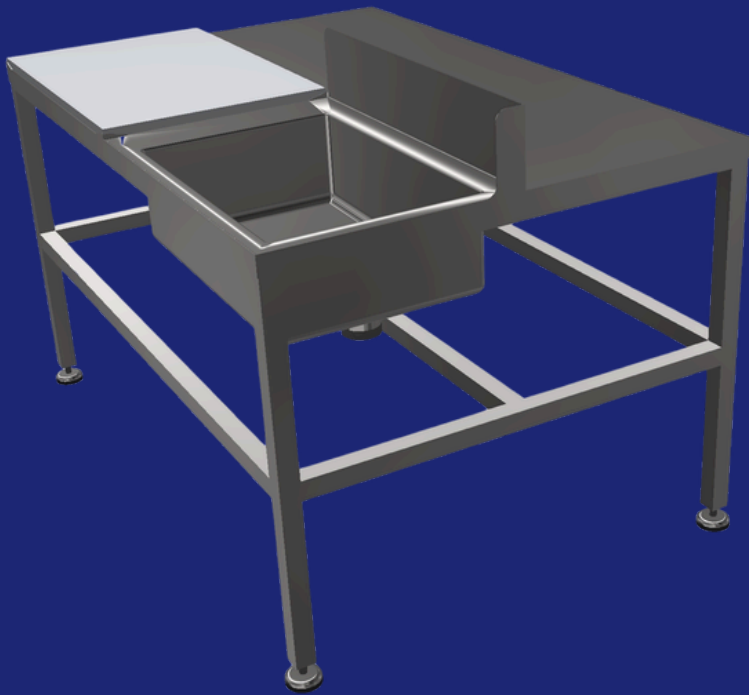
With Univice's water jet cutter, it is possible to cut almost any material:

- *Metal*
- *Wood*
- *Tiles*
- *Glass*
- *Plastic*





UNIVICE





UNIVICE





UNIVICE

Univice er ein væl útgjörð smiðja, ið framleiðir tilfar úr rustfríum stáli og aluminium.
Vit hava alt neyðugt tilfar til framleiðsluna á staðnum.
Vit bjóða okkum eisini til at klippa, bukka og klárgera tilfarið fyri tykkum.

Univice is a well-equipped workshop specializing in the production of stainless steel and aluminium components.
We have all necessary materials for production in stock on site.
We also offer services such as cutting, bending, and finishing materials according to your requirements.





UNIVICE





UNIVICE

Vit have eitt fjølbroytt úrval av plátum, til millum annað alivinnu, sjóvinnu og vinnu á landi.

- Rustfríar plátur
- Aluminium plátur
- Dúrk plátur
- Nylon plátur
- Pleksiglas plátur





UNIVICE

We offer a wide range of plates for the aquaculture industry, maritime sector, and onshore industry.

- *Stainless steel plates*
- *Aluminium plates*
- *Floor / tread plates*
- *Nylon plates*
- *Plexiglass plates*





UNIVICE

Vit hava el motorar frá 0,09 KW til 3,0 KW á goymslu.
Eisini kunnu vit bíleggja størri elmotorar.

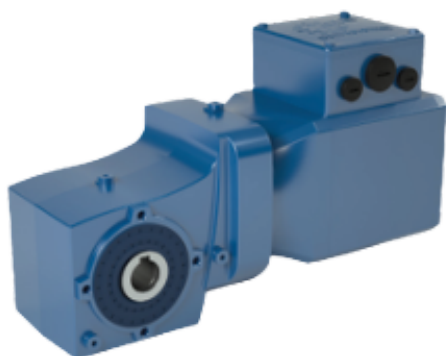
Vit bjóða eisini el motorar við serstakari viðgerð, hetta ger so teir halda til sera krevjandi umstøður.

*We have electric motors in stock ranging
from 0.09 kW to 3.0 kW.
Larger motors can also be ordered.*

*We also offer electric motors with special treatment,
making them suitable for very demanding conditions.*

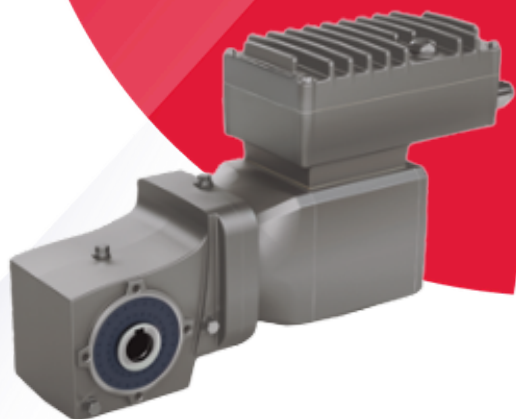
NXD Basic

- Resistant to scratches and impact
- Corrosion-resistant (C5)
- High-quality coating
- Available in various colors



NXD TupH

- Resistant to scratches and impact
- Acid-resistant
- Low weight
- Higher density





UNIVICE

Hjá Univice hava vit eitt breitt úrval av gearum, legum og koblingum á goymslu.

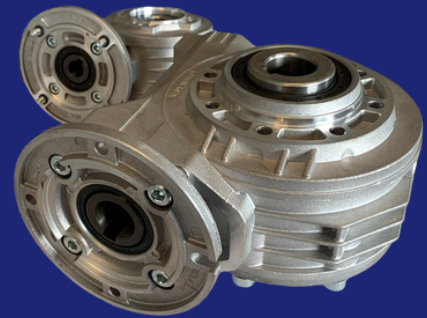
Okkara gearrøð røkkur frá P 030 til P 085.

Vit bjóða fleiri ymisk sløg av legum og húsi, millum annað:

- Rustfrí legur
- Plastikhús
- Keramisk legur
- NG legur

Harumframt hava vit eisini fleiri sløg av koblingum:

- Straub koblingar
- Snarkoblingar
- Flexkoblingar



At Univice, we stock a wide range of gears, bearings, and couplings.

Our gear range extends from P 030 to P 085.

We offer various types of bearings and housings, including:

- *Stainless steel bearings*
- *Plastic housings*
- *Ceramic bearings*
- *NG bearings*

In addition, we supply several types of couplings:

- *Straub couplings*
- *Quick couplings*
- *Flexible couplings*





UNIVICE

Goymslan hjá Univice, hefur nógv ymisk rustfrí fittings:

- Majarí fittings
- Gevind fittings
- Sveisi fittings
- Gjøgnumføringar
- Slangustuðstar
- Bend
- Pípheysar
- T-stykkir
- Muffir
- Reduktióinir
- Hydraulik fittings
- Press fittings

Univice's stock includes a wide range of stainless steel fittings:

- *Flange fittings*
- *Threaded fittings*
- *Weld fittings*
- *Cable / pipe glands*
- *Hose connectors*
- *Bends*
- *Angles*
- *T-pieces*
- *Couplings*
- *Reducers*
- *Hydraulic fittings*
- *Press fittings*





UNIVICE

Univice veitir eitt breitt og dygdargott úrval av lutum til luftskipanir

- Slitsterkar og fleksiblar slangur í ymiskum støddum. Egnaðar til ymisk arbeiðstrýst og ymiskar arbeiðs uppgávur.
- Álítandi koblingar og samlingar, ið tryggja tættar og trygdarfastar sambindingar í skipanini. Fáast í fleiri útgávum og støddum.
- Sylindrar av høgari góðsku, hósandi til bæði einfaldar og fjøltáttaðar uppgávur.

Univice provides a wide range and high-quality components for pneumatic systems.

- *Durable and flexible hoses available in various sizes and materials, suitable for different working pressures and applications.*
- *Reliable couplings and connectors that ensure tight and secure connections in the system. Available in multiple versions and sizes.*
- *High-quality cylinders suitable for both simple and complex applications.*





UNIVICE

Vit hava eitt stórt úrval av sjómetal fittings millum annað:

- Gjøgnumføringar
- Slangustuðstar
- Bend
- Vinklar
- T-stykkir
- Muffir
- Reduktióinir

We have a wide range of brass fittings, including:

- *Through-hull fittings*
- *Hose connectors*
- *Bends*
- *Angles*
- *T-pieces*
- *Couplings*
- *Reducers*





UNIVICE

Vit bjóða eitt breitt úrval av ventilum og tilhoyrandi lutum:

- Kúluventilar
- Butterflyventilar
- Spakaventilar
- Hydraulikkventilar
- Magnetventilar
- Kompensatorar
- Aktuatorar

We offer a wide range of valves and related components:

- *Ball valves*
- *Butterfly valves*
- *Lever valves*
- *Hydraulic valves*
- *Magnetic valves*
- *Compensators*
- *Actuators*





UNIVICE

Vit hava eitt stórt úrval av há- og lágtrýst slangum:

- Vatn slangur
- Spiral slangur
- Útstoyt slangur
- Hydraulik slangur

We offer a wide range of high- and lowpressure hoses:

- *Water hoses*
- *Spiral hoses*
- *Exhaust hoses*
- *Hydraulic hoses*





UNIVICE

Univice hefur stóra goymslu av fiberristum í stöddum frá 26 mm til 38 mm. Vit bjóða eisini tilhoyrandi festir til tryggja og haldföra uppseting.

Univice has a large stock of fiber grates in sizes from 26 mm to 38 mm. We also offer matching fasteners for secure and durable installation.





UNIVICE

Vit hava hjól í rustfríum og galvaniseraðum frá 50 mm til 200 mm á goymslu.
Eisini hava vit stillubein og gevindplátur

*We have wheels in stainless steel and galvanized versions,
ranging from 50 mm to 200 mm, in stock.
We also offer adjustable feet and threaded plates.*





UNIVICE

Hjá Univice hava vit sera sterk plastrør, góðkend til matvøru framleiðslu. Vit bjóða millum annað:

- Rør
- Bend
- Muffur
- T-stykki
- Unióinir
- Reduktióinir

At Univice, we offer high-strength plastic pipes approved for food production. Our range includes:

- Pipes
- Bends
- Couplings
- T-pieces
- Unions
- Reducers

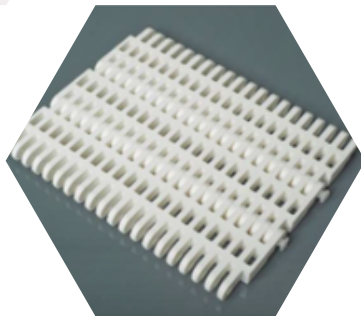
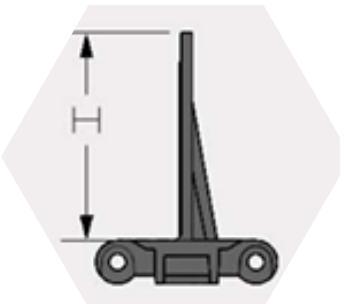
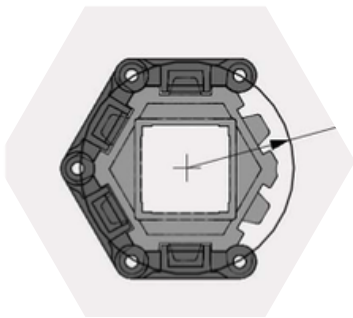




UNIVICE

Univice umboðar hágóðsku bondini Hetodan.
Vit hava eisini alt tilhoyr til bondini, millum annað tannhjól og spakar.
Kann bíleggjast í leysum og tilgjørdum støddum.

*Univice represents the high-quality Hetodan belts.
We also offer all related accessories for the belts,
including gears and levers.
Available for order in both individual pieces and
pre-assembled sizes.*





UNIVICE

Univice er umboð fyrri viðlíkahalds- og reparaðionsvörur frá bretska merkinum Solvall. Vit bjóða eitt breitt úrval av professionellum loysnum til byggi-, VVS- og el-vinnuna, sum eru kend fyrri høgga góðsku og álftandi úrslit. Í okkara úrvali finnur tú m.a.:

- Reinsi- og avfeittingarvörur
- Lím og bindingarloysnir
- Tættingar- og fugemassar
- Lekastop og reparaðionsprodukt
- Multi-spray og viðlíkahaldsloysnir

Univice is a distributor of maintenance and repair products from the British brand Solvall. We offer a wide range of professional solutions for the construction, plumbing, and electrical industries, known for their high quality and reliable performance.

With over three decades of experience in providing these quality affordable solutions, Solvall brought together the latest exceptional German development in hybrid polymer technology, exclusively to Solvall.

Our product range includes, among others:

- *Cleaning and degreasing products*
- *Adhesives and bonding solutions*
- *Sealants and jointing compounds*
- *Leak-stop and repair products*
- *Multi-sprays and maintenance solutions*





UNIVICE



nerta 

CHEMISTRY FOR
A CLEAN WORLD





UNIVICE

Univice er umboð fyrri smyrievni og oljur frá schweiziska merkinum Motorex. Vit bjóða eitt breitt úrval av vørum, herundir:

- Smyrjuspray
- Smyrjuoljur
- Hydrauliskar oljur
- Køliveskur

Univice is a representative of lubricants and oils from the Swiss brand Motorex. We offer a wide range of products, including:

- *Lubricating sprays*
- *Lubricating oils*
- *Hydraulic oils*
- *Coolants*





Í 2012-2013 keypti Univice, ein kendan framleiðara av glasfiburbátum í Runavík - AWI Boats. Hesi feløgini eru í dag samlað í eini 1200 m² stórum bygning á Rókahavnini. AWI Boats hevur framleitt uml. 300 bátar runt í øllum norðanlondum, og síðani yvirtøkan hevur Univice útvegað og selt bátar til m.a. Grønlands.

Í dag starvast umleið 40 dugnalig starvsfólk hjá Univice. Kjarnuvirksemið er framvegis framleiðsla av rustfríum útbúnaði til skip og virkir, men fyrirtøkan bjóðar eisini heildarloysnir innan ráðgeving, tekning og projektering. Í tøttum samstarvi við kundar verða loysnir mentar, sum tryggja skilagóðar og effektivar framleiðslulinjur og arbeiðsgongdir – bæði á skipsdekkum, í virkjum og innan alíðnaðin.

Samstundis sum vit viðlíkahalda bátar og framleiða kør til m.a alivinnuna.





Univice was founded in 2010. During its early years, the company operated from rented facilities, where the core of the business was providing customers with reliable and high-quality solutions in stainless steel for ships and other industrial applications.

Today, approximately 40 skilled employees work at Univice. The company's core activity remains the production of stainless steel equipment for the maritime and industrial sectors. In addition, Univice offers comprehensive solutions including consulting, design, and project engineering. In close collaboration with clients, tailored solutions are developed to ensure efficient production lines and optimized workflows—both on ship decks, in processing plants, and within the aquaculture industry.

Additionally, we maintain boats and manufacture cages for the fishing and aquaculture sector.





Univice er umboð fyri Sleipner í Føroyum og kann tí bjóða eitt breitt úrval av teirra vørum, herundir:

- Bógyskrúvir
- Stabilisatorar
- Akker spøl
- Stýriskipanir

Univice is the representative for Sleipner in the Faroe Islands and can therefore offer a wide range of their products, including:

- *Bow thrusters*
- *Stabilizers*
- *Anchor winches*
- *Steering systems*





Univice er umboð fyri Palby í Føroyum
og kann tí bjóða eitt breitt úrval av teirra vørum millum annað:

- Akkerútgerð, togi og dekksútgerð
- Sjó elektronikk og navigatiónsútgerð
- Elektriskar skipanir, battarí og ljós
- Vatn og hitaskipanir.
- Vørur til viðlíkahald, máling og bátarøkt
- Trygdar- og bjargingarútgerð
- Vatnsport og frítíðarútgerð
- Stýriskipanir og motortilhoysr



*Univice is the representative for Palby in the Faroe Islands
and can therefore offer a wide range of their products, including:*

- *Anchoring equipment, ropes, and deck hardware*
- *Marine electronics and navigation equipment*
- *Electrical systems, batteries, and lighting*
- *Plumbing, heating, and onboard comfort solutions*
- *Maintenance products, paints, and boat care supplies*
- *Safety equipment and life-saving gear*
- *Watersports and leisure equipment*
- *Steering systems and engine accessories*

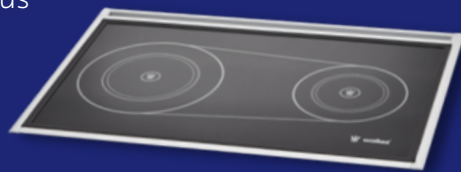




Univice umboðar finska merki Wallas.

Vit kunnu tí bjóða eitt breitt úrval av teirra vørum eitt nú:

- Dieselhitara til bátar, kampingvagnar og summarhús
- Komfýrar og kókiplar til sjóvinnu
- Sameindar loysnir við komfýri og hitara
- Dieselriknir heittlufts ovnar
- Hitaskipanir við fjarstýringar møguleikum
- Tilhoyr og uppsetingarlutir



Univice is the representative for Wallas.

and can therefore offer a wide range of their products, including:

- *Diesel heaters for boats, campers, and cottages*
- *Marine stoves and cooktops*
- *Oven and stove combinations*
- *Diesel-powered convection ovens*
- *Heating systems with remote control options*
- *Accessories and installation components*







UNIVICE



Univice hevur sum mál at vera tín álítandi heildarveitari.

Vit leggja stóran dent á at viðgera allar fyrispurningar skjótt og væl og arbeiða miðvíst fram ímóti at finna bestu loysnirnar fyri okkara kundar.

Goymsla okkara er væl útgjørð við einum breiðum úrvali av eykalutum og vørum, sum serliga eru ætlaðar alivinnuni og fiskivinnuni, umframt bátaútgørð.

At gera tað so lætt sum gjørligt fyri tykkum er umráðandi. Tí leggja vit stóran dent á, at tú fært vøruna har, sum tú hevur brúk fyri henni – og júst tá tú hevur brúk fyri henni.

Univice aims to be your reliable supplier.

We place great emphasis on handling all inquiries quickly and efficiently, and we work in a focused manner to find the best solutions for our customers.

Our warehouse is well equipped with a wide range of spare parts and products, primarily intended for the aquaculture and fishing industries, as well as boat equipment.

We are committed to making things as seamless as possible for you. That's why we focus on delivering your product exactly where you need it – and when you need it.